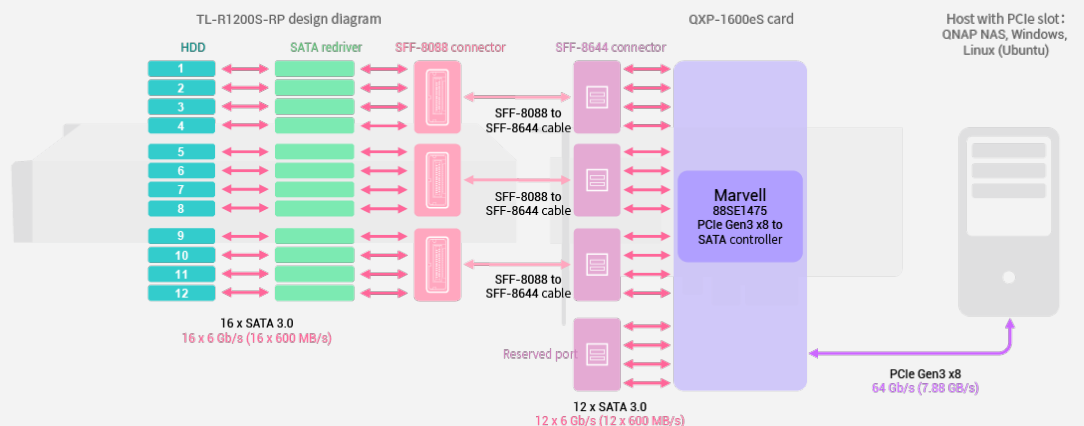


QXP-1600eS

Controller	Marvell 88SE1475
Connector	4 x SFF-8644
Supported SATA driver numbers	16 x SATA 6Gb/s drives (Each SFF-8644 internal connector supports four SATA drives)
PCIe interfaces	PCIe Gen3 x8 (64Gbps)
Supported operating systems	Windows 8 or later. <u>Driver</u> required. - Windows Server 2012 R2 or later. <u>Driver</u> required - Only support Ubuntu version 18.04.2 (Kernel 4.18) or older version with Kernel 3.10 ~ 4.18.0-15 <u>Driver</u> required.
Form factor	Low-profile 119.65 x 68.9 x 17.24 mm (Without bracket 119.65 x 68.9 x 12mm)
Cable	QNAP provides 1.0M SFF-8644 to SFF-8088 cable for optional purchase. Order number: [CAB-SAS10M-8644-8088(https://shop.qnap.com/index.php?route=product/product&keyword=CAB&category_id=0&product_id=148)]

Architecture Diagram



Note: Use only QNAP memory modules to maintain system performance and stability. For NAS devices with more than one memory slot, use QNAP modules with identical specifications.

Warning: Using unsupported modules may degrade performance, cause errors, or prevent the operating system from starting.

* Sound Level Test

Environment: Refer to ISO 7779; Maximum HDD loaded; Bystander Position; Average data from 1 meter in front of operating NAS. Product images are for illustrative purposes only and may differ from the actual product. Due to differences in monitors, colors of products may also appear different to those shown on the site.

Designs and specifications are subject to change without notice.