



2MP Bullet IP Camera

2MP, 4.2X Zoom, 40M IR
T-WDR, IP68, IK10

HLZ-7BKDS(4.2X)

- 2 Megapixel IR Bullet IP Camera
- H.264+/ H.264/ M-JPEG Compression
- ROI Function/ Advanced Smart Stream
- Starvis Sensor/ Cable Management
- Smart Focus System for Remote Focus Adjustment
- Digital Noise Reduction
- Power over Ethernet
- Digital Wide Dynamic Range
- Day & Night Manual Switch Time Control
- Wide Temperature Range
- IR LED Built-in 40M
- IR Cut Filter Mechanism
- 2-way Audio / Micro SD Card Backup
- IP66, IP68, IK10
- Support iPhone/Android/Mac
- SDK for Software Integration
- Free Bundle 36 Ch Recording Software



Specification

Hardware	
CPU	Multimedia SoC
RAM	256MB
Flash	128MB
Image Sensor	1/2.8" Sony Exmor-R CMOS Sensor
Sensitivity	Color: 0.005 Lux(AGC ON), B/W: 0.001 Lux(AGC ON)
Lens Type	2.8-12mm 4.2X Bulid-in Zoom Lens @ F1.4
View Angle	35~95°(H), 19~50 °(V)
ICR	IR cut Filter Mechanism
I/O	1 DI/ 1 DO
Power over Ethernet	Yes
Video Output	Yes
Audio	G.711(64K) and G.726(32K, 24K) audio compression Input: Ø3.5mm phone jack Output: Ø3.5mm phone jack, Support 2-way.
Power Consumption	DC 12V Max: 5.5W, PoE Max: 7.0W
Wide Dynamic Range	120dB
S/N Ratio	65dB
Casing	IP66, IP68, IK10
Operating Temperature	IR ON: 50°C, IR OFF: -20°C~60°C / -4°F~140°F
Dimensions	Ø77.4 x H122.5 (mm)
Weight	720g
Network	
Ethernet	10/ 100 Base-T
Network Protocol	IPv6, IPv4, HTTP, HTTPS, SNMP, SSL, TLS, DNS, ICMP, IGMP, ARP, SNTP, QoS/DSCP, CoS, IEEE 802.1X, RTSP/RTP/RTCP, TCP/IP, UDP, SMTP, FTP, PPPoE, DHCP, DDNS, NTP, UPnP, SAMBA, Bonjour, Google drive, Drop box, Onvif profile S

System	
Video Resolution [16:9]	1920x1080@30fps, 1280x720@30fps, 640x480@30fps, 320x240@30fps
Video Adjust	Brightness, Contrast, Hue, Saturation, Sharpness, AGC, Night Mode, True-WDR, Flip, Mirror, Noise Reduction, Day & Night Adjustable
Features	ROI, Smart Stream, Motion Detection, Privacy Mask, Anti Fog, Tampering Detection, Corridor Mode, Push Video, P2P(Optional)
Quadruple Streaming	Yes
Image Snapshot	Yes
Full Screen Monitoring	Yes
Privacy Mask	Yes, 3 different areas
Compression Format	H.264+/ H.264/ M-JPEG
Video Bitrates Adjust	CBR, VBR
Motion Detection	Yes, 3 different areas
Triggered Action	Mail, FTP, Save to SD card, DO, Samba, Google Drive, Dropbox
Security	Password protection, IP address filtering, HTTPS encrypted data transmission, 802.1X port-based authentication for network protection, QoS/DSCP
Firmware Upgrade	HTTP mode, can be upgraded remotely
Simultaneous Connection	Up to 10
IR LEDs	
LEDs	5 x High Power LEDs, 850nm
IR Distance	40M
Wireless (Optional)	
Wireless	802.11b/ g/ n
Security	WEP, WPA-PSK, WPA2-PSK
Power Consumption	DC 12V Max: 6.5W

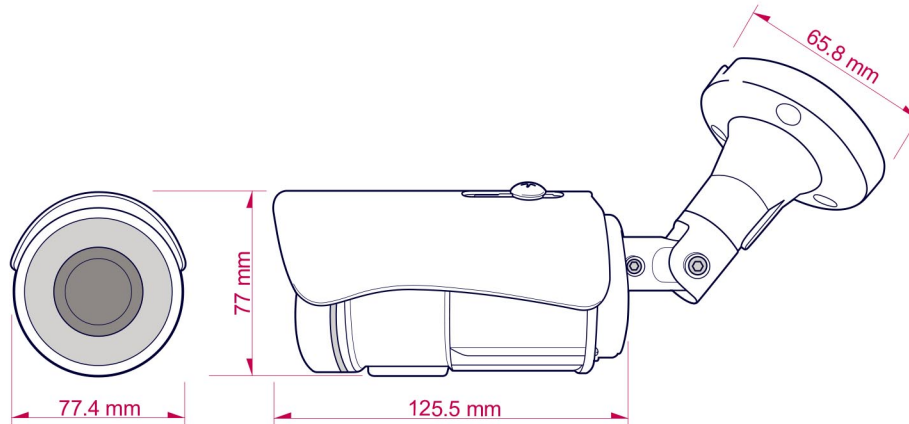
Specification

Micro SD Card Management (Optional)	
Recording Trigger	Motion Detection, IP check, Network break down (wire only), Schedule, DI
Video Format	AVI, JPEG
Video Playback	Yes
Delete Files	Yes



Remote Browsing Requirement	
OS	Windows 10, Microsoft IE 11.0 or above
Hardware Suggested	Intel Dual Core 2.8G, RAM: 4GB, Graphic card: 128MB
Mobile Support	iOS 8 or above, Android 4.0.4 or above

◆ SPECIFICATIONS ARE SUBJECT TO CHANGE WITHOUT NOTICE

Dimensions



Accessories

Product	Pole Mount Adapter	Junction Box
Model	aHTB-F01000001	aHTB-E01
Material	Aluminum Alloy, SPCC FEVE	SUS 316L
Dimensions	156 x 150 x 63 mm	Ø137x H58.7 mm
Suitable for Pole Diameter	102 - 152mm (4-6 inch)	
Photo		

Product	Ø3.5mm Stereo Jack Microphone
Model	HTA-420
Sensitivity	-38dB
Power	DC 12V
Frequency Range	50 -10000Hz
Working Range	5M
S/R ratio	58dB
Impedance	Max 2.2K
Connector	3.5mm female jack
Photo	