



# Anti-Corrosion Bullet IP Camera

NEMA, 2MP, 10X Zoom, 80M IR  
T-WDR, IP69, -40°C~70°C

## HLZ-6FKDS(10X)

- 316L Stainless Steel Housing
- Anti-corrosion standard: NEMA-4X
- 2 Megapixel IR Bullet IP Camera
- H.264+ / H.264 / M-JPEG Compression
- ROI Function / Smart Stream / Starvis Sensor
- Smart Focus System for Remote Focus Adjustment
- Digital Noise Reduction
- Power over Ethernet
- True Wide Dynamic Range
- Day & Night Manual Switch Time Control
- Operating Temperature -40°C~70°C with Heater
- IR LED Built-in 80M
- IR Cut Filter Mechanism
- Micro SD Card Backup
- 2-way Audio
- IP68/69
- Cable Management
- Support iPhone / Android / Mac
- SDK for Software Integration
- Free Bundle 36 Ch Recording Software

**NEMA 4X**



### Specification

Hardware	
CPU	Multimedia SoC
RAM	256 MB
Flash	32 MB
Image Sensor	1/2.8" Sony True WDR Starvis CMOS Sensor
Sensitivity	Color: 0.005Lux(AGC ON), B/W: 0.001Lux(AGC ON)
Lens Type	5-50mm 10X Bulid-in Zoom Lens @ F1.6
View Angle	6.2° - 46°(H), 4° - 25.2°(V)
ICR	IR cut Filter Mechanism
I/O	1 DI / 1 DO
Video Output	Yes
RS485	1
Audio	G.711 (64K) and G.726(32K, 24K) audio compression Input: External Audio in, Output: External Line out Support 2-way
Power over Ethernet	Yes
Power Consumption	DC 12V Max: 6.84W(IR ON), 2.28W(IR OFF) PoE Max: 8.16 (IR ON), 3.36W(IR OFF) Heater DC 12V Max: 10.32W PoE Max: 3.36W
Wide Dynamic Range	120dB
S/N Ratio	50dB
Dimensions	Ø90 x H133.5 (mm)
Weight	2.25kg
Operating Temperature	-40°C~70°C / -40°F~158°F
IR LEDs	
LEDs	7 Units High Power
IR Distance	80M

System	
Video Resolution[16:9]	1920x1080@30fps, 1280x720@30fps, 640x480@30fps, 320x240@30fps
Video Adjust	Brightness, Contrast, Hue, Saturation, Sharpness, AGC, Night Mode, True-WDR, Flip, Mirror, Noise Reduction, Day & Night Adjustable
Features	ROI, Smart Stream, Motion Detection, Privacy Mask, Anti Fog, Tampering Detection, Corridor Mode, Push Video, P2P (Optional)
Triple Streaming	Yes
Image Snapshot	Yes
Full Screen Monitoring	Yes
Privacy Mask	Yes, 3 different areas
Compression Format	H.264+ / H.264 / M-JPEG
Video Bitrates Adjust	CBR, VBR
Motion Detection	Yes, 3 different areas
Triggered Action	Mail, FTP, Save to SD card, DO, SAMBA, Dropbox, Google Drive
Security	Password protection, IP address filtering, HTTPS encrypted data transmission, 802.1X port-based authentication for network protection, QoS/DSCP
Firmware Upgrade	HTTP mode, can be upgraded remotely
Simultaneous Connection	Up to 10
Web Browsing Requirement	
OS	Windows 7, 8, 10, XP, Microsoft IE 6.0 or above
Mobile Support	iOS 8 or above, Android 4.4.2 or above
Hardware Suggested	Intel Dual Core:2.8G, RAM:4GB, Graphic card:128MB

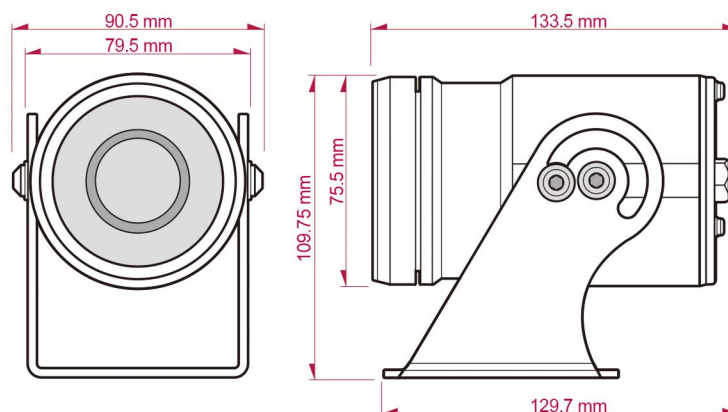
## Specification

Micro SD Card Management	
SD card Slot	Internal SD card slot, industrial SD card suggest
Recording Trigger	Motion Detection, IP check, Network break down (wire only), Schedule, DI
Video Format	AVI, JPEG
Video Playback	Yes
Delete Files	Yes




Network	
Ethernet	10/ 100 Base-T
Network Protocol	IPv6, IPv4, HTTP, HTTPS, SNMP, SSL, TLS, DNS, ICMP, IGMP, ARP, SNTp, QoS/DSCP, IEEE 802.1X, RTSP/RTP/RTCP, TCP/IP, UDP, SMTP, FTP, PPPoE, DHCP, DDNS, NTP, UPnP, SAMBA, Bonjour, Google drive, Drop box, Onvif profile S

◆ SPECIFICATIONS ARE SUBJECT TO CHANGE WITHOUT NOTICE

## Dimensions



## Accessories

Product	Wall Mount Bracket	Pole Mount Adapter	Convex Corner Mount Adapter
Model	aHTB-G01000001	aHTB-F01000007	aHTB-F01000009
Material	SUS 316L	SUS 316L	SUS 316L
Dimensions	150x312x305 mm	240x163x72 mm (poles Ø4" - 6" )	322x210x72 mm
Weight	2.1kg	1.6kg	2.1kg
Photo			
Product	Concave Corner Mount Adapter	Pipe	Junction Box
Model	aHTB-F01000008	aHTB-F01000007	aHTH-A01000001
Material	SUS 316L	SUS 316L	SUS 316L
Dimensions	305x210x60 mm	100 mm (Hub Size: G3/4" )	260x160x230 mm (Hub Size: G3/4" x2)
Weight	2.1kg	0.7kg	3.3kg
Photo		