



# Explosion Proof Bullet IP Camera

ATEX, IECEx, NEMA, 2MP, 30X Zoom  
T-WDR, IP69, IK10, -40°C~70°C

## HLZ-62KDS(30X)



- Certification for use in Zones 1 and 2 IIC T6 Group (Gas) and Zones 21 and 22 IIIC T85°C Group (Dust)
- 1080P@30FPS
- 30X Bulid-in Zoom Lens
- H.264+ / H.264 / M-JPEG Video Compression
- Smart Focus System for Remote Focus Adjustment
- Power over Ethernet
- IR Cut Filter Mechanism
- Day & Night Manual Switch Time Control
- Smart Stream
- ROI Function
- IP68, IP69
- NEMA 4X
- Support iPhone / Android / Mac
- SDK for Software Integration
- Free Bundle 36 Ch Recording Software



**NEMA 4X**

ATEX II 2G Ex d IIC T6 Gb IECEx Ex d IIC T6 Gb 2D Ex t IIIC T85°C Db IECEx Ex t IIIC T85°C Db



### Specification

Hardware	
CPU	Multimedia SoC
RAM	256 MB
Flash	32 MB
Image Sensor	1/2.8" Sony True WDR Starvis CMOS Sensor
Sensitivity	Color: 0.005 Lux(AGC ON) B/W: 0.001 Lux(AGC ON)
Lens Type	4.5-135mm 30X Bulid-in Zoom Lens @ F1.6
View Angle	2.7°- 45°(H), 1.9°- 34.2°(V)
Power over Ethernet	Yes
Power Consumption	PoE Max: 2.88W, DC 12V Max: 2.28W -40°C Heater on: 11W
ICR	IR cut Filter Mechanism
Housing Material	AISI 316L Stainless Steel
Enclosure Certificate	IP68, IP69, IK10
Alarm In/Out	1DI / 1DO
Sunshield	Yes
Wide Dynamic Range	120 dB
Audio	G.711(64K) and G.726(32K, 24K) audio compression, Input: 3.5mm phone jack, Output: 3.5mm phone jack, Support 2-way
RS485	1
Cable Length	4M
Dimensions	Ø142.3 x H224 (mm)
Weight	6.8kg
Operating Temperature	-40°C~70°C / -40°F~158°F

Network	
Ethernet	10/ 100 Base-T
Network Protocol	IPv6, IPv4, HTTP, HTTPS, SNMP, SSL, TLS , DNS , ICMP, IGMP, ARP, SNTP, QoS/DSCP, Access list, IEEE 802.1X, RTSP/RTP/RTCP, TCP/IP, UDP, SMTP, FTP, PPPoE, DHCP, DDNS, NTP, UPnP, 3GPP, SAMBA, Bonjour, Google drive, Drop box, Onvif profile S
System	
Video Resolution[16:9]	1920x1080@30fps, 1280x720@30fps, 640x360@30fps
Video Adjust	Brightness, Contrast, Hue, Saturation, Sharpness, AGC, Night Mode, T-WDR, Flip, Mirror, Noise Reduction, Day&Night Adjustable
Features	ROI, Smart Stream, Motion Detection, Privacy Mask, Anti Fog, BNC, Tampering Detection, Corridor Mode, 3-Axis Cable Management, IP66, BNC, Push Video
Quadruple Streaming	Yes
Image Snapshot	Yes
Full Screen Monitoring	Yes
Privacy Mask	Yes, 3 different areas
Compression Format	H.264+ / H.264 / M-JPEG
Video Bitrates Adjust	CBR, VBR
Motion Detection	Yes, 10 different areas
Triggered Action	Mail , FTP , SAMBA , Dropbox , Google Drive
Security	Password protection, IP address filtering, HTTPS encrypted data transmission, 802.1X port-based authentication for network protection, QoS/DSCP
Firmware Upgrade	HTTP mode, can be upgraded remotely
Simultaneous Connection	Up to 10
Focus Mode	Auto, Manual

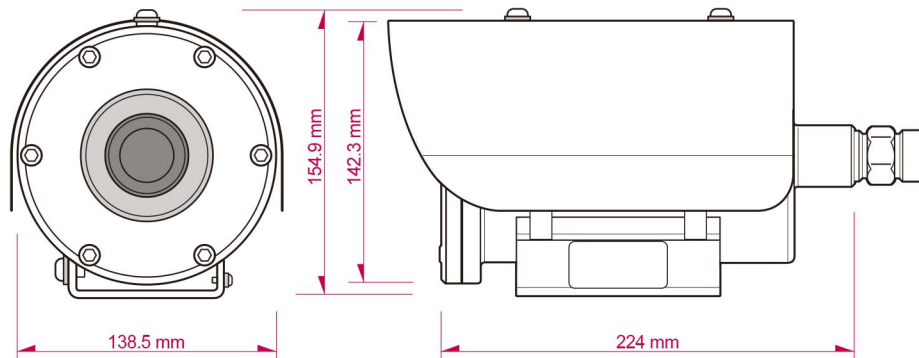
## Specification

Micro SD Card Management	
Local Storage	Industrial 64 GB Micro SD card built in (optional)
Recording Trigger	Motion Detection, IP check, Network break down (wire only), Schedule, DI
Video Format	AVI, JPEG
Video Playback	Yes
Delete Files	Yes




Web Browsing Requirement	
OS	Windows 7, 8, 10, XP, Microsoft IE 6.0 or above
Mobile Support	iOS 8 or above, Android 4.0.4 or above
Hardware Suggested	Intel Dual Core:2.8G, RAM:4GB, Graphic card:128MB

◆ SPECIFICATIONS ARE SUBJECT TO CHANGE WITHOUT NOTICE

## Dimensions



## Accessories

Product	Wall Mount Bracket	Pole Mount Adapter	Convex Corner Mount Adapter
Model	aHTB-G01000001	aHTB-F01000007	aHTB-F01000009
Material	SUS 316L	SUS 316L	SUS 316L
Dimensions	150x312x305 mm	240x163x72 mm (poles Ø4" - 6" )	322x210x72 mm
Weight	2.1kg	1.6kg	2.1kg
Photo			
Product	Concave Corner Mount Adapter	Pipe	Junction Box
Model	aHTB-F01000008	aHTB-F01000007	aHTH-A01000001
Material	SUS 316L	SUS 316L	SUS 316L
Dimensions	305x210x60 mm	100 mm (Hub Size: G3/4" )	260x160x230 mm (Hub Size: G3/4" x2)
Weight	2.1kg	0.7kg	3.3kg
Photo	