



Anti-Corrosion Dome IP Camera

NEMA, 2MP, 4.2X Zoom, 35M IR
T-WDR, IP69, IK10, -40°C~70°C

HLZ-1XKDS(4.2X)



- 316L Stainless Steel Housing
- Anti-corrosion standard: NEMA-4X
- 2 Megapixel IR Vandal Dome IP Camera
- H.264+ / H.264 / M-JPEG Compression
- ROI Function
- Smart Stream
- Smart Focus System for Remote Focus Adjustment
- Digital Noise Reduction
- Power over Ethernet
- True Wide Dynamic Range
- Day & Night Manual Switch Time Control
- IR LED Built-in 35M
- IR Cut Filter Mechanism
- IP68 / IP69 / IK10
- 2-way Audio
- Support iPhone / iPad / Android
- SDK for Software Integration
- Free Bundle 36 Ch Recording Software

NEMA 4X



Specification

Hardware	
CPU	Multimedia SoC
RAM	256 MB
Flash	32 MB
Sensor	1/2.8" Sony True WDR Starvis CMOS Sensor
Sensitivity	Color: 0.005Lux(AGC ON), B/W: 0.001Lux(AGC ON)
Lens	2.8-12mm 4.2X Bulid-in Zoom Lens @ F1.4
View Angle	35°- 93°(H), 19°- 50°(V)
ICR	IR cut Filter Mechanism
I/O	1 DI / 1 DO
Video Output	Yes
Audio	G.711 (64K) and G.726(32K, 24K) audio compression Input: External Audio in, Output: External Line out Support 2-way
Power over Ethernet	Yes
Power Consumption	DC 12V Max: 5.06W (IR ON), 3.12W (IR OFF) PoE Max: 5.69W (IR ON), 3.72W (IR OFF) Heater DC 12V Max: 7.38W PoE Max: 8.06W
Wide Dynamic Range	120dB
S/N Ratio	50dB
Dimensions	Ø136.5 x H101 (mm)
Weight	2kg
Operating Temperature	-40°C~70°C / -40°F~158°F
Micro SD Card Management (Optional)	
Recording Trigger	Motion Detection, IP check, Network break down (wire only), Schedule, DI
Video Format	AVI, JPEG
Video Playback	Yes
Delete Files	Yes

System	
Video Resolution[16:9]	1920x1080@30fps, 1280x720@30fps, 640x480@30fps, 320x240@30fps
Video Adjust	Brightness, Contrast, Hue, Saturation, Sharpness, AGC, Night Mode, True-WDR, Flip, Mirror, Noise Reduction, Day&Night Adjustable
Features	ROI, Smart Stream, Motion Detection, Privacy Mask, Anti Fog, Tampering Detection, Corridor Mode, Push Video, P2P(Optional)
Triple Streaming	Yes
Image Snapshot	Yes
Full Screen Monitoring	Yes
Privacy Mask	Yes, 3 different areas
Compression Format	H.264+ / H.264 / M-JPEG
Video Bitrates Adjust	CBR, VBR
Motion Detection	Yes, 3 different areas
Triggered Action	Mail, FTP, Save to SD card, DO, SAMBA, Dropbox, Google Drive
Pre/ Post Alarm	Yes, configurable
Security	Password protection, IP address filtering, HTTPS encrypted data transmission, 802.1X port-based authentication for network protection, QoS/DSCP
Firmware Upgrade	HTTP mode, can be upgraded remotely
Simultaneous Connection	Up to 10
IR LEDs	
LEDs	4 Units High Power
IR Distance	35M

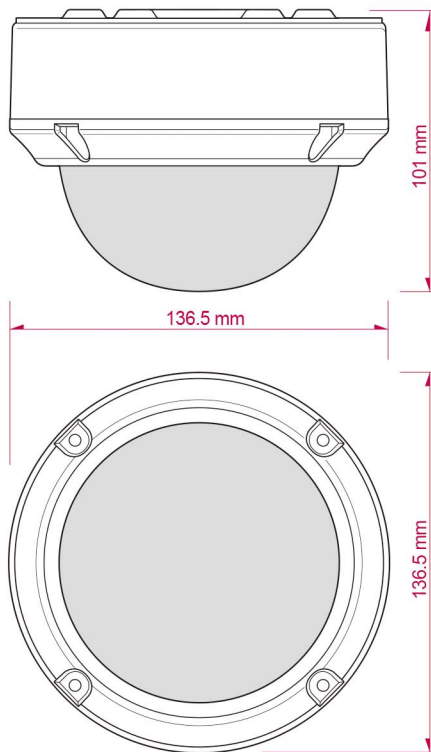
Specification

Network	
Ethernet	10/ 100 Base-T
Network Protocol	IPv6, IPv4, HTTP, HTTPS, SNMP, SSL, TLS, DNS, ICMP, IGMP, ARP, SNTp, QoS/DSCP, IEEE 802.1X, RTSP/RTP/RTCP, TCP/IP, UDP, SMTP, FTP, PPPoE, DHCP, DDNS, NTP, UPnP, SAMBA, Bonjour, Google drive, Drop box, Onvif profile S


Web Browsing Requirement	
OS	Windows 7, 8, 10, XP, Microsoft IE 6.0 or above
Mobile Support	iOS 8 or above, Android 4.4.2 or above.
Hardware Suggested	Intel Dual Core:2.8G, RAM:4GB, Graphic card:128MB


◆ SPECIFICATIONS ARE SUBJECT TO CHANGE WITHOUT NOTICE

Dimensions



Accessories

Product	Pole Mount Adapter
Model	aHTB-F01000007
Material	SUS 316L
Dimensions	240x163x72 mm (poles Ø4" - 6")
Weight	1.6kg
Photo	

Product	Convex Corner Mount Adapter
Model	aHTB-F01000009
Material	SUS 316L
Dimensions	322x210x72 mm
Weight	2.1kg
Photo	

Product	Concave Corner Mount Adapter
Model	aHTB-F01000008
Material	SUS 316L
Dimensions	305x210x60 mm
Weight	2.1kg
Photo	