

Product Datasheet

10-Port 10/100Mbps PoE Switch

(ONV-POE31108PL)



OVERVIEW

The ONV-POE31108PL is a 10/100M unmanaged PoE switch independently developed by ONV. It has 8*10/100M PoE ports and 2*10/100M uplink RJ45 ports. Port 1-8 can support IEEE802.3af/at standard PoE power supply, and single port PoE power reaches 30W. The maximum PoE output power is 110W. As a PoE power supply device, it can automatically detect and recognize the power receiving equipment that meets the standard and supply power through the network cable. It can supply power to POE terminal equipment such as wireless AP, webcam, VoIP, visual intelligent building intercom through network cable, and meet the network environment that needs high-density PoE power supply. It is suitable for hotel, campus, factory dormitory and small and medium-sized enterprises.

Unmanaged mode, plug and play, no configuration, easy to use.

FEATURE

■ 10/100Mbps access, dual RJ45 ports uplink

- ◇ 10*10/100Base-TX RJ45 ports ,which is more convenient for users to flexibly set up to meet the network requirements of various scenarios.
- ◇ Support non-blocking wire-speed forwarding.
- ◇ Support full-duplex based on IEEE802.3x and half-duplex based on backpressure.

■ Smart PoE power supply function

- ◇ 8*10/100Base-TX RJ45 ports, meeting the needs of security monitoring, teleconferencing system, wireless coverage, and other scenarios.
- ◇ IEEE 802.3af/at PoE standard, without damaging non-PoE devices.

■ Innovative function

- ◇ Long distance file: switch to “E”, port 1-8 speed is reduced to 10M, using existing twisted pair cable, you can break the limit of transmission of twisted pair 100 meters, the transmission distance can reach 250 meters; On the other hand, it is possible to solve the problem of poor transmission due to lineaging.
- ◇ Video Surveillance Mode: Opens with long-distance switches. Port 1-8 are isolated from each other but communicate with port 9-10 to prevent DHCP conflicts, optimize port cache utilization, and reduce broadcast storms.

■ Stable and reliable, easy to operate

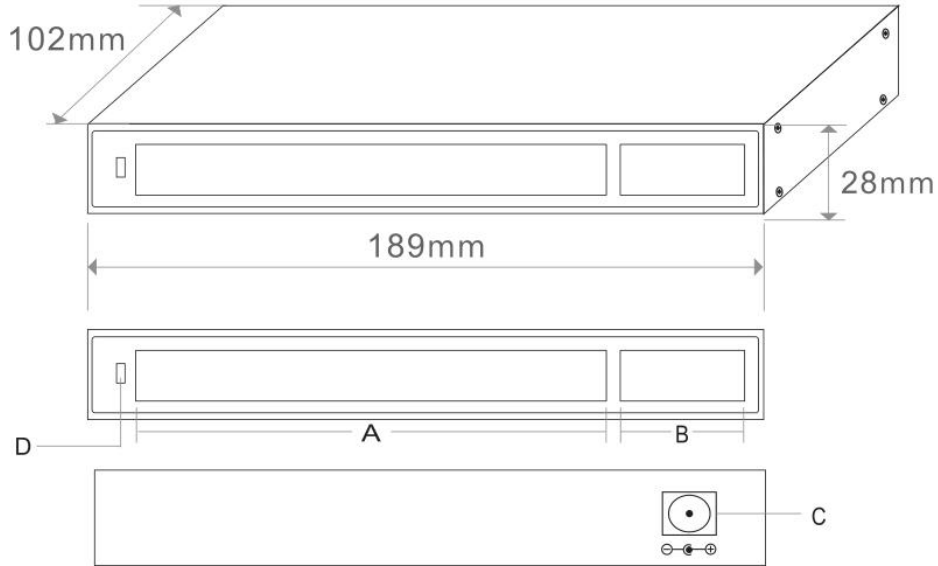
- ◇ CCC,CE, FCC, RoHS.
- ◇ Plug and play, no configuration, simple and convenient.
- ◇ Low power consumption, IP30 galvanized steel casing, No fan mute design.
- ◇ Self-developed power supply, high redundancy design, providing a long term and stable PoE power output.
- ◇ The user-friendly panel, it can show the device status through the LED indicator of PWR,Link, PoE.

TECHNICAL SPECIFICATION

Model	ONV-POE31108PL	ONV-POE31108PL-at
Interface Characteristics		
Fixed Port	8*10/100Base-TX PoE ports (Data/Power) 2*10/100Base-TX uplink RJ45 Ports (Data)	
Ethernet Port	Port 1-10 can support 10/100Base-TX automatic detection, full/half Duplex MDI/MDI-X adaptive	
Twisted Pair Transmission	10BASE-T:Cat3,4,5 UTP(≤250 meter) 100BASE-TX:Cat5 or later UTP(≤100 meter)	
Functional Switch	1*(Extender+CCTV) Note: When the switch status changes, the PoE switch must be restarted for the switch function to take effect.	
Chip Parameter		
Network Protocol	IEEE802.3 10BASE-T; IEEE802.3i 10Base-T; IEEE802.3u 100Base-TX; IEEE802.3x	
Forwarding Mode	Store and Forward(Full Wire Speed)	
Switching Capacity	2Gbps(non-blocking)	
Forwarding Rate@64byte	1.49Mpps	
MAC	2K	
Buffer Memory	1.25M	
LED Indicator	Power : PWR (green), network:Link (yellow), PoE: PoE (green)	
PoE & Power Supply		
PoE Port	Port 1 to 8 IEEE802.3af/at @ POE	
Power Supply Pin	Default 1/2(+), 3/6(-), optional 4/5(+), 7/8(-)	
Max Power Per Port	30W; IEEE802.3af/at	

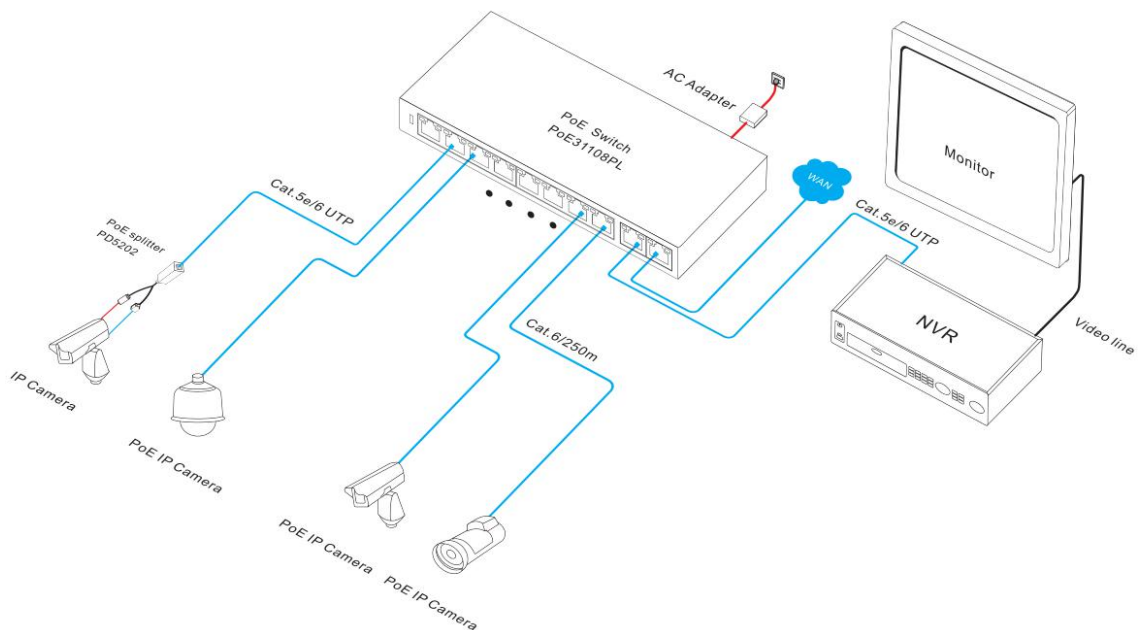
Total PWR / Input Voltage	110W/DC 52V	250W/DC 52V
Power Consumption	Standby<6W, Full load<110W	Standby<8W, Full load<240W
Power Supply	External power adaptor AC100~240V 50-60Hz 2A	External power adaptor AC100~240V 50-60Hz 5A
Physical Parameter		
Operation TEMP / Humidity	-20~+55°C;5%~90% RH Non condensing	
Storage TEMP / Humidity	-40~+75°C;5%~95% RH Non condensing	
Dimension (L*W*H)	191*105*29mm	
Net /Gross Weight	<0.6kg / <1kg	<0.6kg / <1.2kg
Installation	Desktop, wall mounted	
Certification & Warranty		
Lightning protection / protection level	Lightning protection: 4KV 8/20us; Protection level: IP30	
Certification	CCC;CE mark, commercial; CE/LVD EN60950;FCC Part 15 Class B; RoHS	
Warranty	3 years, lifelong maintenance.	

DIMENSION



- A. 8*10/100M PoE Ports
- B. 2*10/100M Uplink RJ45 Ports
- C. Power Input Port DC48-57V
- D. Multi-function Switch

APPLICATION



ORDERING INFORMATION

Model	Description
ONV-POE31108PL	Unmanaged PoE switch with 8*10/100M PoE ports and 2*10/100M uplink RJ45 ports ,Port 1-8 can support IEEE802.3af/at PoE standard, Adjust function switch, 1-8 port VLAN isolation or 10M/250m long distance transmission, external 110W power supply.
ONV-POE31108PL-at	Unmanaged PoE switch with 8*10/100M PoE ports and 2*10/100M uplink RJ45 ports ,Port 1-8 can support IEEE802.3af/at PoE standard, Adjust function switch, 1-8 port VLAN isolation or 10M/250m long distance transmission, external 250W power supply.

PACKING LIST

	CONTENT	QTY	UNIT
PACKING LIST	10-port 10/100Mbps PoE switch	1	SET
	AC Power Cable and Power Adapter	1	SET
	Mounting Kits (Hanging Ear)	1	SET
	User Guide	1	PC
	Warranty Card	1	PC

CONTACT US



OPTICAL NETWORK VIDEO TECHNOLOGIES (SHENZHEN) CO., LTD.

Tel: 0086-755-33376606

Fax: 0086-755-33376608

Email: onv@onv.com.cn

Website: www.onvcom.com

Zip: 518000

Headquarter Address: Room 1003, Block D, Terra Building, Futian District, Shenzhen, China

Factory Address: The 4-6th Floor, No. 59, HuaNing Road, Xinwei Community, Dalang Street,
Longhua District, Shenzhen, China

