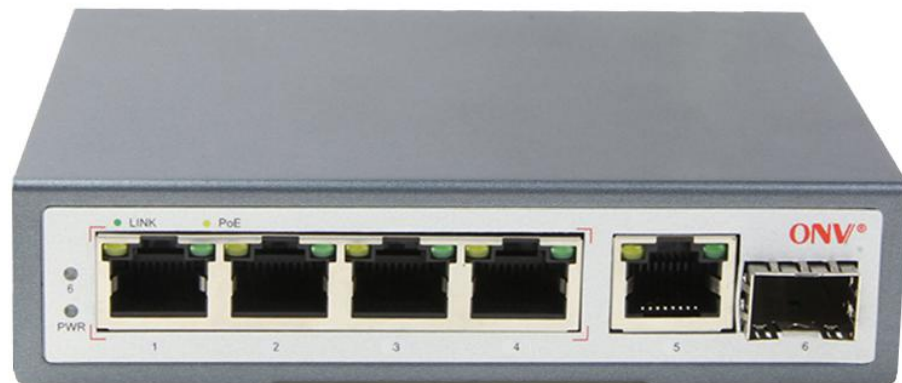


Product Datasheet

6-Port Gigabit Uplink PoE Fiber Switch

(ONV-POE31064PFG)



OVERVIEW

The ONV-POE31064PFG is an unmanaged PoE fiber switch independently developed by ONV. It has 4*10/100Base-TX PoE ports and 1*10/100/1000Base-T RJ45 port and 1*1000Base-X SFP slot port. Port 1-4 can support IEEE802.3af/at standard PoE power supply. single port PoE power reaches 30W, and the maximum PoE output power is 65W (at-110W). As a PoE power supply device, it can automatically detect and recognize the power receiving equipment that meets the standard and supply power through the network cable. It can supply power to POE terminal equipment such as wireless AP, webcam, VoIP, visual intelligent building intercom through network cable, and meet the network environment that needs high-density PoE power supply. It is suitable for hotel, campus, factory dormitory and small and medium-sized enterprises.

Unmanaged model, plug and play, no configuration, easy to use.

FEATURE

■ 10/100Mbps access, gigabit TP/SFP (combo port) uplink

- ◇ All series support "Ethernet port and Gigabit Ethernet port and Gigabit SFP port" combination, which enables users to flexibly build networking to meet the needs of various scenarios.
- ◇ Support non-blocking wire speed forwarding .
- ◇ Support full duplex based on IEEE802.3x and half duplex based on backpressure.

■ Intelligent PoE power supply

- ◇ 4*10/100Base-TX RJ45 ports support PoE power supply to meet the needs of PoE power supply in security monitoring, teleconferencing systems, and wireless coverage.
- ◇ IEEE802.3af/at PoE standard, without damaging non-PoE devices.
- ◇ Priority system for PoE port, it will supply power to the high priority level port first when the power budget is insufficient and avoid overwork of the device.

■ Stable and reliable, easy to operate

- ◇ CCC,CE, FCC, RoHS.
- ◇ Plug and play, no configuration, simple and convenient.
- ◇ Low power consumption and low noise, galvanized steel metal casing. No fan.
- ◇ Self-developed power supply, high redundancy design, providing a long term and stable PoE power output.
- ◇ The user-friendly panel, it can show the device status through the LED indicator of PWR, Linkt, PoE.

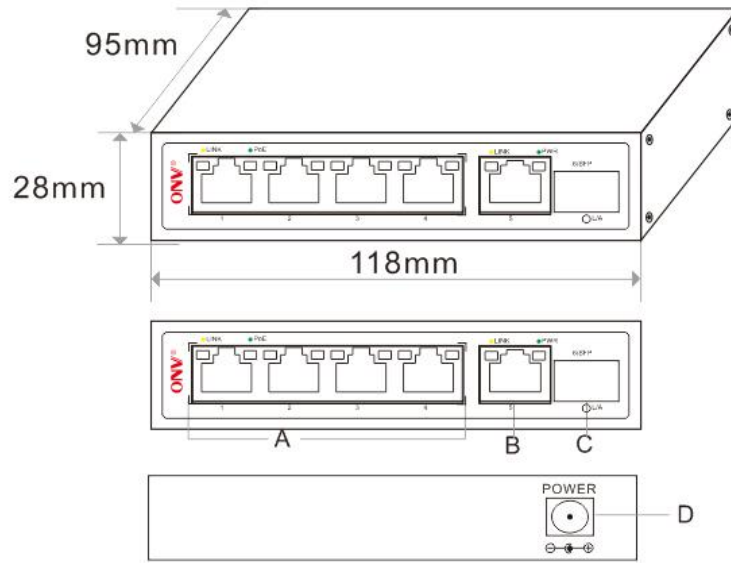
TECHNICAL SPECIFICATION

Model	ONV-POE31064PFG	ONV-POE31064PFG-at
-------	-----------------	--------------------

Interface Characteristics	
Fixed Port	4*10/100Base-TX PoE ports (Data/Power) 1*10/100/1000Base-T uplink RJ45 port (Data) 1*1000Base-X uplink SFP slot port (Data)
Ethernet Port	Port 1-4 can support 10/100Base-T(X) auto-sensing, port 5 can support 10/100/1000Base-T auto-sensing, full/half duplex MDI/MDI-X self-adaption
Twisted Pair Transmission	10BASE-T: Cat3,4,5 UTP(≤100 meter) 100BASE-TX: Cat5 or later UTP(≤100 meter) 1000BASE-T : Cat5e or later UTP(≤100 meter)
Optical Fiber Port	Gigabit SFP optical fiber port, default not matching optical modules (optional order single-mode / multi-mode, single fiber / dual fiber optical module. LC)
Optical Cable/ Distance	Multi mode: 850nm / 0 ~ 500M single mode: 1310nm / 0 ~ 40KM, 1550nm 0 ~ 120KM.
Chip Parameter	
Network Protocol	IEEE802.3 10BASE-T, IEEE802.3i 10Base-T IEEE802.3u 100Base-TX, IEEE802.3ab 1000Base-T IEEE802.3z 1000Base-X, IEEE802.3x
Forwarding Mode	Store and Forward(Full Wire Speed)
Switching Capacity	8Gbps
Forwarding Rate@64byte	3.57Mpps
MAC	2K
Buffer Memory	2M
Jumbo Frame	9.2K
LED Indicator	Power: PWR (green); Data: Link, Link/Act (yellow); POE: PoE (green); Rate: Speed(green)

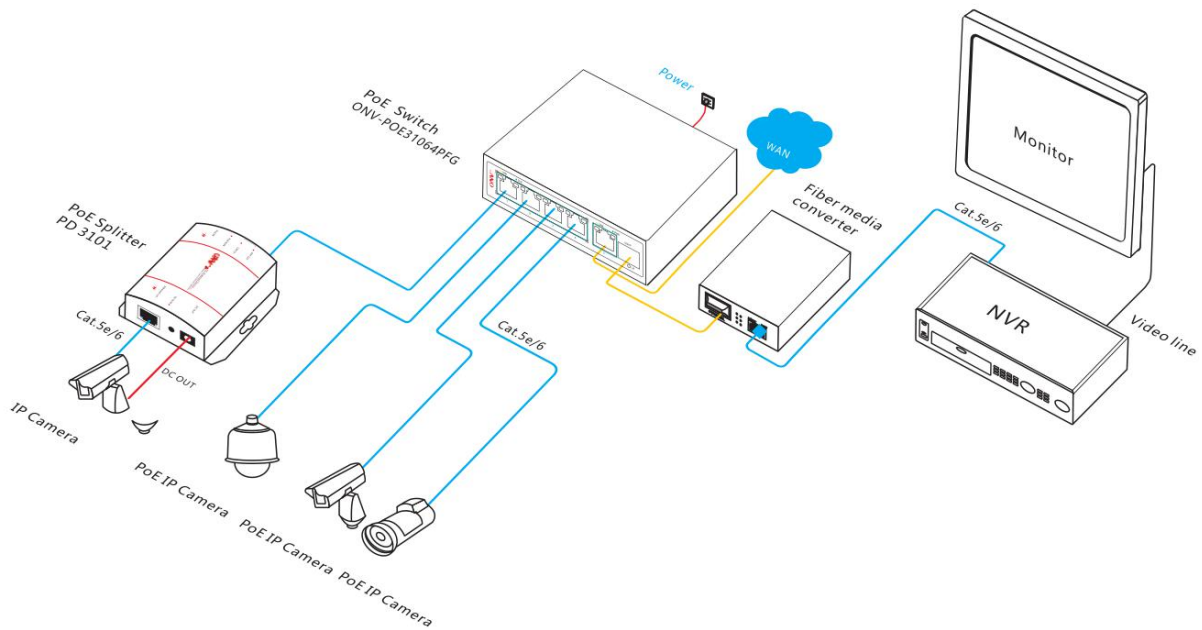
PoE & Power		
PoE Port	Port 1 to 4 IEEE802.3af/at @ POE	
Power Supply Pin	Default 1/2(+), 3/6(-), optional 4/5(+), 7/8(-)	
Max Power Per Port	30W; IEEE802.3af/at	
Total PWR / Input Voltage	65W/DC52V	110W/DC52V
Power Consumption	Standby<5W, Full load<65W	Standby<6W, Full load<110W
Input Voltage / Interface	DC48-57V / DC5521 power terminal connection	
Power Supply	External power adapter AC100~240V 50-60Hz 1.1A	External power adapter AC100~240V 50-60Hz 2.0A
Physical Parameter		
Operation TEMP / Humidity	-20~+55°C;5%~90% RH Non condensing	
Storage TEMP / Humidity	-40~+75°C;5%~95% RH Non condensing	
Dimension (L*W*H)	118*95*28mm	
Net /Gross Weight	<0.35kg / <1.0kg	
Installation	Desktop, wall-mounted	
Certification & Warranty		
Lightning protection / protection level	Lightning protection: 4KV 8/20us; Protection level: IP30	
Certification	CCC;CE mark, commercial; CE/LVD EN60950;FCC Part 15 Class B; RoHS;	
Warranty	3 years, lifelong maintenance.	

DIMENSION



- A. 4*10/100M PoE ports
- B. 1*10/100M uplink RJ45 port
- C. 1*1000M SFP fiber port
- D. DC power port

APPLICATION



ORDERING INFORMATION

Model	Description	Configure Power Adapter
ONV-POE31064PFG	Unmanaged PoE switch with 4*10/100M PoE port and 1*10/100/1000M uplink RJ45 port and 1*1000M uplink SFP slot port . Port1-4 can support IEEE802.3af/at PoE standard. External power supply.	65W
ONV-POE31064PFG-at		110W

PACKING LIST

	CONTENT	QTY	UNIT
PACKING LIST	6-port gigabit uplink PoE fiber switch	1	SET
	AC Power Cable+ Power Adapter	1	SET
	Mounting Kits	1	SET
	User Guide	1	PC
	Warranty Card	1	PC

OPTICAL MODULE INFORMATION

Product	Model	Description	Unit
1.25G Optical Module	ONV-2630	SFP optical module, 1.25G, multi mode dual fiber 850nm, transmission distance: 550m, LC interface, support DDM, hot plug and pull.	PC
	ONV-2632	SFP optical module, 1.25G, single-mode dual fiber 1310nm, transmission distance: 20km, LC interface, support DDM, hot plug and pull.	PC
	ONV-2612-T	SFP optical module, 1.25G, single-mode single fiber TX1310nm/RX1550nm, transmission distance: 20km, LC interface,support DDM, hot plug and pull.	PC
	ONV-2613-R	SFP optical module, 1.25G, single-mode single fiber TX1550nm/RX1310nm, transmission distance: 20km, LC interface,support DDM, hot plug and pull.	PC
	ONV-2612-T-S C	SFP optical module, 1.25G, single-mode single fiber TX1310nm/RX1550nm, transmission distance: 20km, SC interface,support DDM, hot plug and pull.	PC
	ONV-2613-R-S C	SFP optical module, 1.25G, single-mode single fiber TX1550nm/RX1310nm, transmission distance: 20km, SC interface,support DDM, hot plug and pull.	PC
Power Module	ONV-2633	1.25G SFP optical module transfers to 10/100/1000M RJ45 port.	PC

RELATED PRODUCT

Model	Description
ONV-POE31004PF	Unmanaged PoE switch with 4*10/100M PoE ports and 1*155M uplink SC port . Port 1-4 can support IEEE802.3af/at POE standard. By default, the SC port 1310nm/20km single mode dual fiber module is configured. External power supply.
ONV-POE31004PL D	Unmanaged PoE switch with 4*10/100M PoE port and 1*10/100M uplink RJ45 port. Port 1-4 can support IEEE802.3af/at PoE standard. Adjust function switch, port 1-4 can support VLAN isolation, 10M/250m transmission. AI self-healing, power indication, and power supply priority, External 65W power supply.
ONV-POE31064PF	Unmanaged PoE fiber switch with 4*10/100M PoE ports and 2*155M uplink SFP ports, Port 1-4 can support IEEE802.3af/at PoE standard . External 65W power supply.

CONTACT US

ONV OPTICAL NETWORK VIDEO TECHNOLOGIES (SHENZHEN) CO., LTD

Tel: 0086-755-33376606

Fax: 0086-755-33376608

Email: onv@onv.com.cn

Website: www.onvcom.com

Zip: 518000

Headquarter Address: Room 1003, Block D, Terra Building, Futian District, Shenzhen, China

Factory Address: The 4-6th Floor, No. 59, HuaNing Road, Xinwei Community, Dalang Street,
Longhua District, Shenzhen, China

