

Product Datasheet

18-port Gigabit Uplink PoE Fiber Switch

ONV-POE31016PFA



OVERVIEW

The ONV-POE31016PFA is an unmanaged PoE fiber switch independently developed by ONV. It has 16*10/100M PoE ports and 2*10/100/1000M uplink RJ45 ports and 2*1000M uplink TP/SFP combo ports. Port 1-16 can support IEEE802.3af/at standard PoE power supply, and single port PoE power reaches 30W. The maximum PoE output power is 250W. As a PoE power supply device, it can automatically detect and recognize the power receiving equipment that meets the standard and supply power through the network cable. It can supply power to POE terminal equipment such as wireless AP, webcam, VoIP, visual intelligent building intercom through network cable, and meet the network environment that needs high-density PoE power supply. It is suitable for hotel, campus, factory dormitory and small and medium-sized enterprises.

Unmanaged model, plug and play, no configuration, easy to use.

FEATURE

■ 10/100Mbps access, gigabit (TP/SFP) combo port uplink

- ◇ All series supports "10/100M RJ45 port and gigabit TP/SFP combo port" combination, which enables users to flexibly build networking to meet the needs of various scenarios.
- ◇ Support non-blocking wire-speed forwarding.
- ◇ Support full-duplex based on IEEE802.3x and half-duplex based on backpressure.

■ Smart PoE power supply function

- ◇ 16*10/100Base-TX RJ45 ports, meeting the needs of security monitoring, teleconferencing system, wireless coverage, and other scenarios.
- ◇ IEEE 802.3af/at PoE standard, without damaging non-PoE devices.
- ◇ Priority system for PoE port, it will supply power to the high priority level port first when the power budget is insufficient and avoid overwork of the device.

■ Stable and reliable

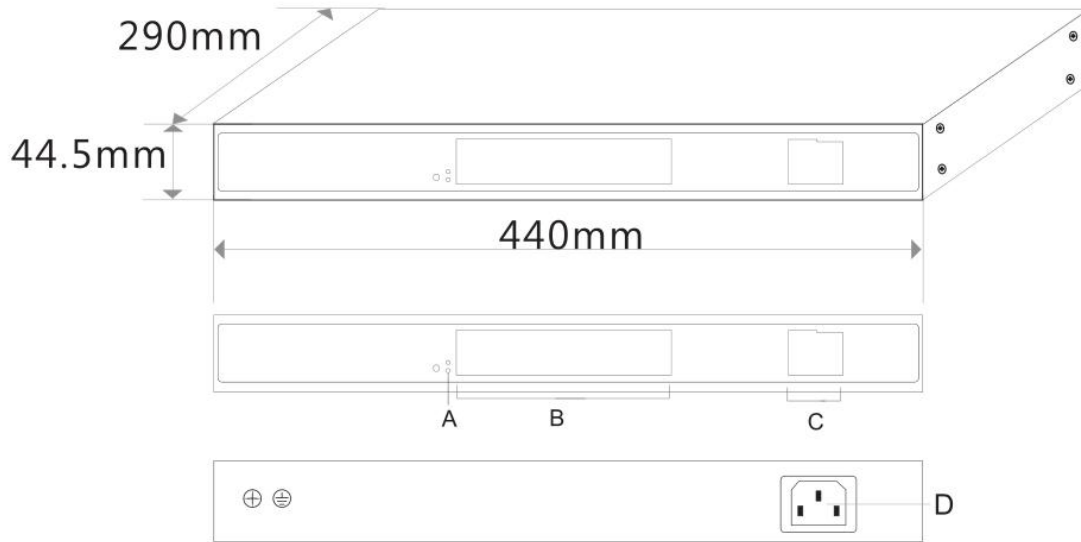
- ◇ Low power consumption, galvanized steel casing.
- ◇ Self-developed power supply, high redundancy design, providing a long term and stable PoE power output.
- ◇ CCC, CE, FCC, RoHS.
- ◇ The user-friendly panel, it can show the device status through the LED indicator of PWR, Link, PoE.
- ◇ Plug and play, no configuration, simple and convenient.
- ◇ Support desktop and 1U/19 inch cabinet installation.

TECHNICAL SPECIFICATION

| Model | ONV-POE31016PFA | ONV-POE31016PFA-at |
|----------------------------------|---|--------------------|
| Interface Characteristics | | |
| Fixed Port | 16*10/100Base-TX PoE ports (Data/Power) 2*10/100/1000M uplink RJ45 ports (Data) 2*1000M uplink SFP slot ports (combo port) | |
| Ethernet Port | 10/100Base-T(X) ,10/100/1000Base-T automatic detection, full/half Duplex MDI/MDI-X adaptive | |
| Twisted Pair Transmission | 10BASE-T: Cat3,4,5 UTP(≤100 meter) 100BASE-TX: Cat5 or later UTP(≤100 meter) 1000BASE-T: Cat5e or later UTP(≤100 meter) | |
| SFP Slot Port | Gigabit SFP optical fiber interface, default matching optical modules (optional order single-mode / multi-mode, single fiber / dual fiber optical module. LC) | |
| Optical Cable/ Distance | Multi-mode: 850nm /0 ~ 550M, single-mode: 1310nm /0 ~ 40KM, 1550nm/0 ~ 120KM. | |
| Chip Parameter | | |
| Network Protocol | IEEE802.3 10BASE-T, IEEE802.3i 10Base-T IEEE802.3u 100Base-TX, IEEE802.3ab 1000Base-T IEEE802.3z 1000Base-X, IEEE802.3x | |
| Forwarding Mode | Store and Forward(Full Wire Speed) | |
| Switching Capacity | 14.8Gbps (Non-blocking) | |
| Forwarding Rate@64byte | 5.36Mpps | |
| MAC | 16K | |
| Buffer Memory | 4M | |
| Jumbo Frame | 10K | |
| LED Indicator | Power:PWR (green), Network: Link, Link/Act (yellow), POE: | |

| | | |
|---|--|---|
| | PoE(green), Speed:1000M (green) | |
| PoE & Power Supply | | |
| PoE Port | Port 1 to 16 IEEE802.3af/at @ POE | |
| Power Supply Pin | Default 1/2 (+), 3/6 (-) Optional: 4/5(+),7/8(-) | |
| Max Power Per Port | 30W, IEEE802.3af/at | |
| Total PWR / Input Voltage | 250W(AC100-240V) | 400W(AC100-240V) |
| Power Consumption | Standby<15W, Full load<250W | Standby<20W, Full load<400W |
| Power Supply | Built in power supply. AC100~240V 50-60Hz 4.1A | Built in power supply. AC100~240V 50-60Hz 5.0A |
| Physical Parameter | | |
| Operation TEMP / Humidity | -20~+55°C, 5%~90% RH Non condensing | |
| Storage TEMP / Humidity | -40~+75°C, 5%~95% RH Non condensing | |
| Dimension (L*W*H) | 440*290*44.5mm | |
| Net /Gross Weight | <2.8kg/<3.4kg | <3.0kg /<3.6kg |
| Installation | Desktop, wall-mounted, 19 inch 1U cabinet | |
| Certification & Warranty | | |
| Lightning protection / protection level | Lightning protection: 4KV 8/20us; Protection level: IP30 | |
| Certification | CCC, CE mark, commercial; CE/LVD EN60950; FCC Part 15 Class B; RoHS | |
| Warranty | 3 years, lifelong maintenance. | |

DIMENSION



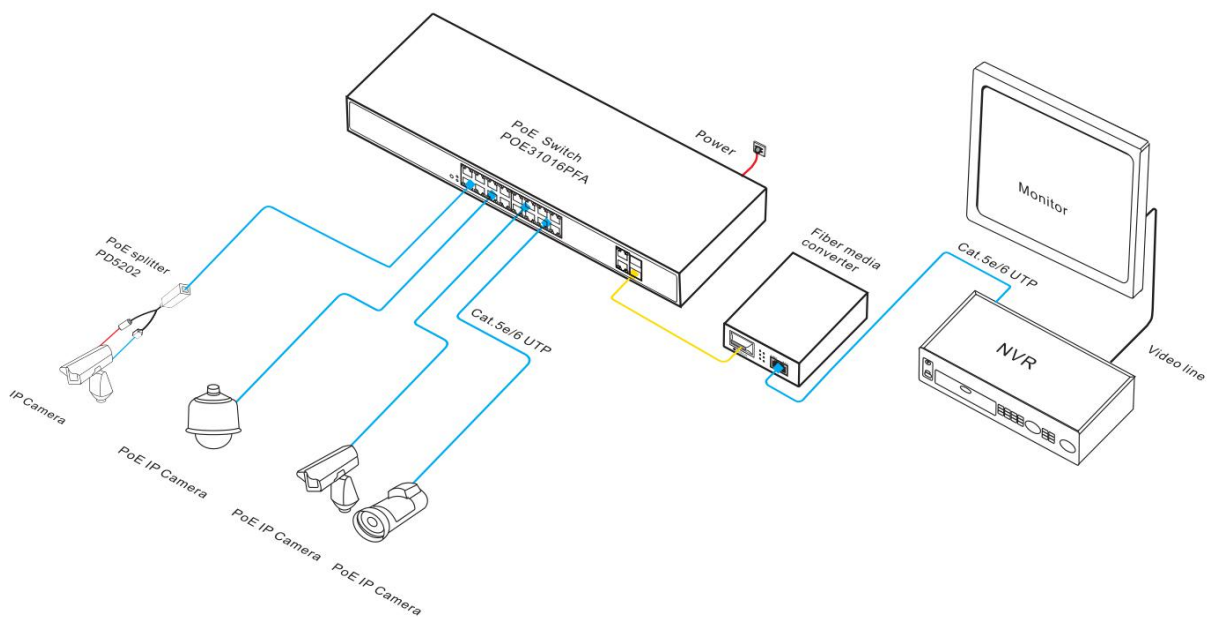
A. Working Indicator

B. 16*10/100M PoE Ports

C. 2*10/100/1000M Combo Ports

D. Power Input Port AC100-240V, 50/60Hz

APPLICATION



ORDERING INFORMATION

| Model | Description |
|--------------------|--|
| ONV-POE31016PFA | Unmanaged PoE fiber switch with 16*10/100M RJ45 ports and 2*10/100/1000M uplink RJ45 ports and 2*1000M TP/SFP(combo port) ports, Port 1-16 can support IEEE802.3 af/at. Built-in 250W power supply. Support 1U/19 inch cabinet installation. |
| ONV-POE31016PFA-at | Unmanaged PoE fiber switch with 16*10/100M RJ45 ports and 2*10/100/1000M uplink RJ45 ports and 2*1000M TP/SFP(combo port) ports, Port 1-16 can support IEEE802.3 af/at. Built-in 400W power supply. Support 1U/19 inch cabinet installation. |

Note: The SFP optical module is not included by default and needs to be purchased separately.

PACKING LIST

| | CONTENT | QTY | UNIT |
|--------------|---|-----|------|
| PACKING LIST | 18-port gigabit uplink PoE fiber switch | 1 | SET |
| | AC Power Cable | 1 | PC |
| | Mounting Kits (Hanging Ears) | 1 | SET |
| | User Guide | 1 | PC |
| | Warranty Card | 1 | PC |
| | | | |

CONTACT US



OPTICAL NETWORK VIDEO TECHNOLOGIES (SHENZHEN) CO., LTD.

Tel: 0086-755-33376606

Fax: 0086-755-33376608

Email: onv@onv.com.cn

Website: www.onvcom.com

Zip: 518000

Headquarter Address: Room 1003, Block D, Terra Building, Futian District, Shenzhen, China

Factory Address: The 4-6th Floor, No. 59, HuaNing Road, Xinwei Community, Dalang Street,
Longhua District, Shenzhen, China

